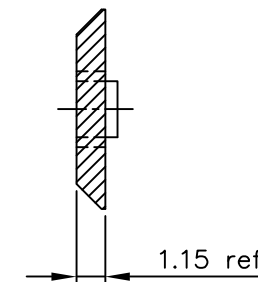
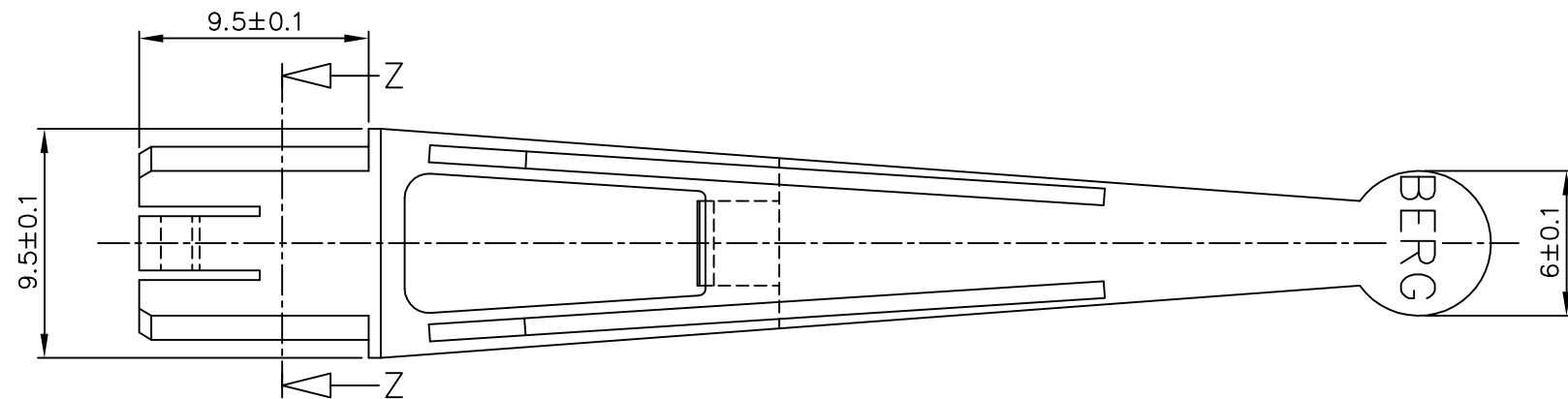
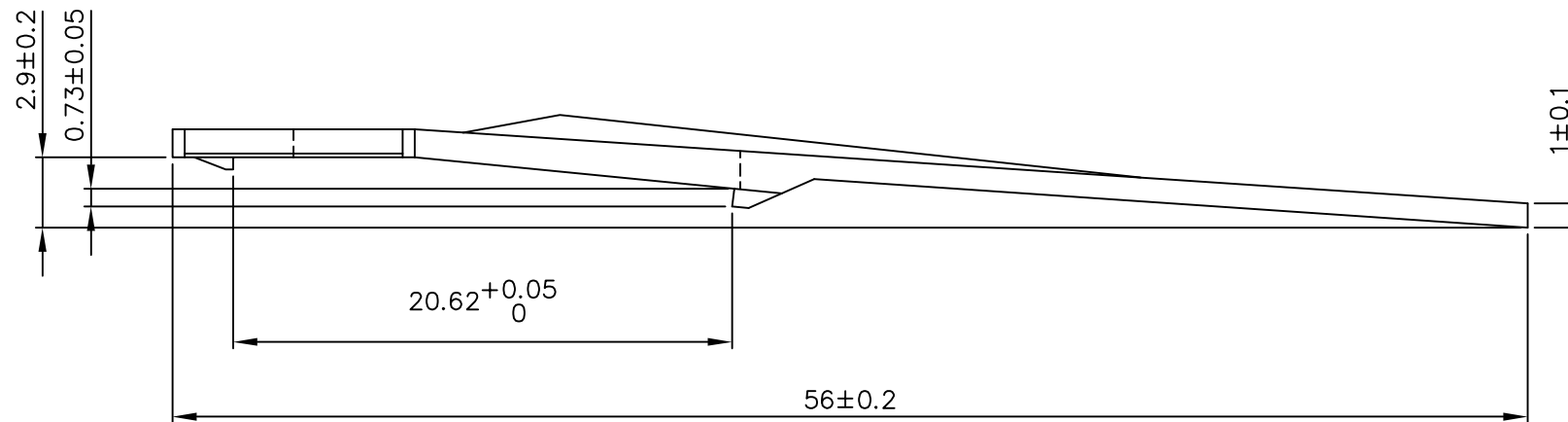


PRODUCT NUMBER
66998-001

Material: Thermoplastic polyester 30% glass filled
Colour: grey, flame retardant per UL-94-V0



SECTION Z-Z



NOTES:-

1. THIS PRODUCT MEETS EUROPEAN UNION DIRECTIVES AND OTHER COUNTRY REGULATIONS AS DESCRIBED IN GS-22-008.
2. LEADFREE OR RoHS DIRECTIVE LABELLING TO BE PROVIDED AS PER GS-14-920.
3. " LF " SUFFIX TO PRODUCT NUMBER FOR RoHS COMPATIBLE/ LEADFREE VERSION.
4. PARTS WITH AND WITHOUT "LF " SUFFIX ARE FORM-FIT AND FUNCTIONALLY IDENTICAL. " LF " SUFFIX PROVIDED FOR PART NUMBER STANDARDISATION OF PART THAT MEETS RoHS REQUIREMENTS.

mat'l. code SEE NOTE				surface ISO 1302	tolerance ISO 406 ISO 1101	projection mm	product family BACKPANEL			
ltr	ecn no	dr	date	tolerances unless otherwise specified		mm	title LATCH EXTENDED			
A	H20812	MVI	1992-12-18	angles	linear		scale -			
B	F00406	LLA	2005-05-22			FCJ	dwg no		sheet 1 of 1	size
C	I05-0123	MINI	2005-07-27				66998		A3	
D	I05-0248	MINI	2005-11-22	dr	D.LEGRAND	2000-10-09	type Product Customer Drawing			
E	I06-0068	MINI	2006-06-01	enr	J.F.NOTTEAU	2000-10-09				
				chr	RAKHEE GEORGE	2006-06-01				
				appd	RAKHEE GEORGE	2006-06-01				
sheet index	revision sheet	E	1							